

# 647A / 657A / 667A QuickTrak™ Mower



Commercial ZTR Mowers

# 647A / 657A / 667A QuickTrak™ Mower

## (Continued)

Key	Part No.	Description	Key	Part No	Description
1	<a href="#">AM107423</a> . . . .	ENGINE OIL FILTER (S/N - 070000)	9	<a href="#">TCA15321</a> . . . . .	MUFFLER (S/N - 070000)
	<a href="#">AM125424</a> . . . .	ENGINE OIL FILTER (S/N 070001 -)		<a href="#">TCA20935</a> . . . . .	MUFFLER (S/N 070001 -)
2	<a href="#">UC24341</a> . . . . .	HYDRAULIC OIL FILTER	10	<a href="#">TCA26303</a> . . . . .	WHEEL & TIRE ASSEMBLY FRONT
3	<a href="#">M131803</a> . . . . .	AIR FILTER - SECONDARY	11	<a href="#">AM123716</a> . . . . .	RELAY
4	<a href="#">M131802</a> . . . . .	AIR FILTER - PRIMARY	12	<a href="#">TY25221B</a> . . . . .	WET CHARGED BATTERY
5	<a href="#">AM116304</a> . . . . .	FUEL FILTER	13	<a href="#">M136651</a> . . . . .	MUFFLER GASKET
6	<a href="#">M805853</a> . . . . .	SPARK PLUG			
7	<a href="#">TCU17289</a> . . . . .	BELT - HYDRAULIC PUMP			
8	<a href="#">TCA16665</a> . . . . .	CLUTCH - PTO			

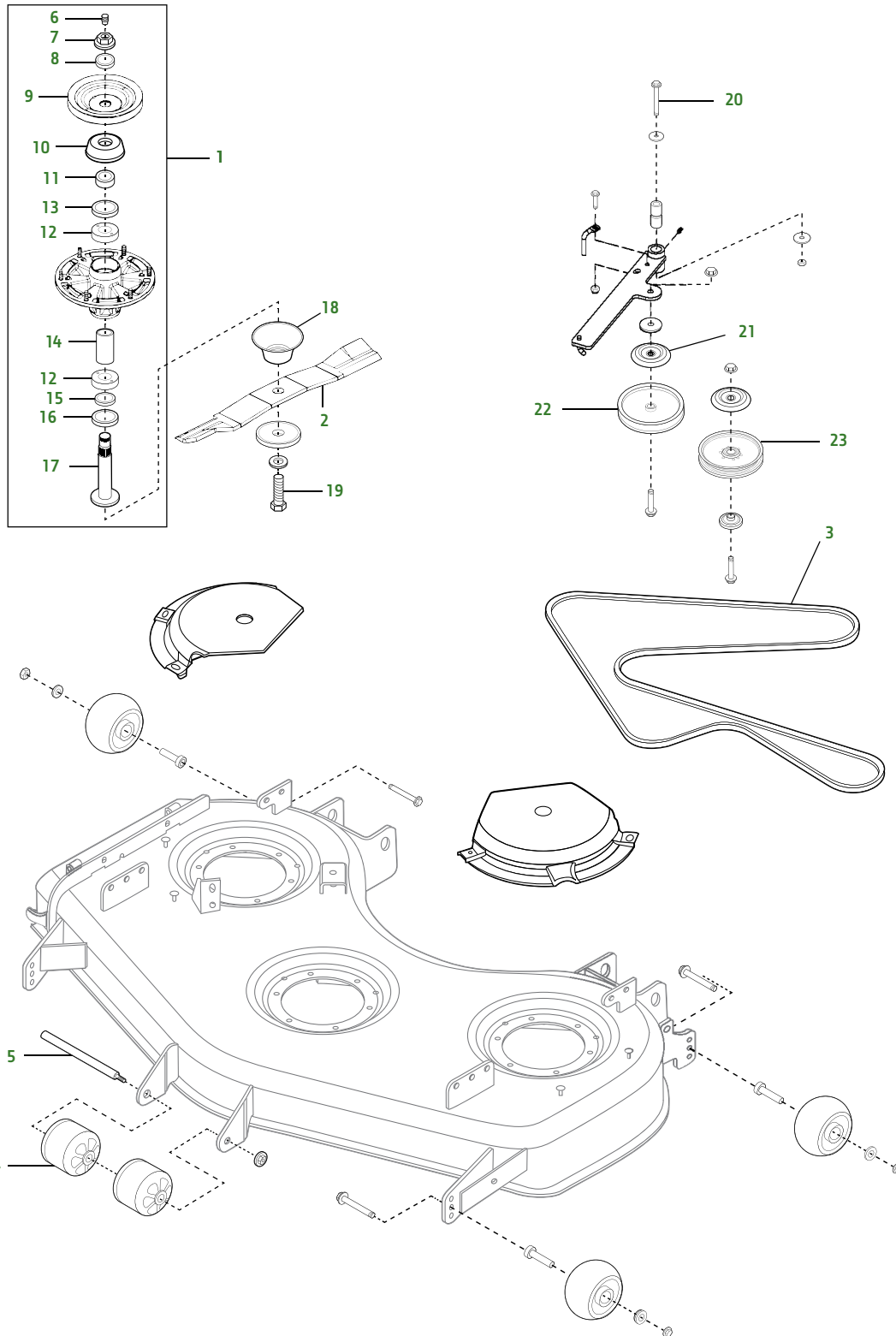
### Parts Needed in First 500 Hours of Operation

Qty	Part No.	Item	Qty or Capacity	Interval In Hours
6	<a href="#">AM107423</a> <a href="#">AM125424</a>	ENGINE OIL FILTER (S/N - 070000) ENGINE OIL FILTER (S/N 070001 -)		10/100/200/300/400/500
18	<a href="#">TY22029</a>	Turf-Gard™ 10W-30 Engine Oil	2.1 L (2.2 qt)	10/100/200/300/400/500
2	<a href="#">TCA19673</a>	Hydraulic Oil Filter		10/500
20	<a href="#">TY26665</a>	John Deere Plus 50 OW - 40 Transmission Oil	8.7 L (9.3 qt)	10/500
1	<a href="#">M131802</a>	Air Filter - Primary	1	300
1	<a href="#">M131803</a>	Air Filter - Secondary	1	300
1	<a href="#">TY6341</a>	Multi-Purpose SD Polyurea Grease (14 oz)		As Needed

### Frequently Used Items

Qty	Part No.	Item
1	<a href="#">M131803</a>	Air Filter - Secondary
1	<a href="#">M131802</a>	Air Filter - Primary
1	<a href="#">AM116304</a>	Fuel Filter
2	<a href="#">M805853</a>	Spark Plugs
1	<a href="#">TCU17289</a>	Belt - Hydraulic Pump
1	<a href="#">TCA16216</a>	Filler Cap
1	<a href="#">AM130907</a>	Mower Deck Leveling Gauge
1	<a href="#">TY26518</a>	Grease Gun
1	<a href="#">TCU30315</a>	Blades - 48 in
1	<a href="#">TCU30316</a>	Blades - 54 in
1	<a href="#">TCU15881</a>	Blades - 60 in
1	<a href="#">TCU17497</a>	Belt - 48 in (S/N - 030000)
1	<a href="#">TCU19453</a>	Belt - 48 in (S/N 030001 -)
1	<a href="#">TCU18117</a>	Belt - 54 in (S/N - 030000)
1	<a href="#">TCU19456</a>	Belt - 54 in (S/N 030001 - 070000)
1	<a href="#">TCU29856</a>	Belt - 54 in (S/N 070001 -)
1	<a href="#">TCU17497</a>	Belt - 60 in (S/N - 030000)
1	<a href="#">TCU14356</a>	Belt - 60 in (S/N 030001 - 080000)
1	<a href="#">TCU33390</a>	Belt - 60 in (S/N 080001 -)

# 48 in. / 54 in. / 60 in. decks QuickTrak™



Commercial ZTR Mowers

# 48 in . / 54 in . / 60 in . decks QuickTrak™ (Continued)

Key	Part No.	Description	Key	Part No	Description
1	<a href="#">TCA25755</a> . . . .	SPINDLE ASSEMBLY - 48 in	11	<a href="#">M163057</a> . . . .	BUSHING
	<a href="#">AM141457</a> . . . .	SPINDLE ASSEMBLY - 54 in & 60 in	12	<a href="#">M88251</a> . . . . .	BALL BEARING
2	<a href="#">TCU30315</a> . . . .	BLADE - 48 in	13	<a href="#">M85699</a> . . . . .	SCREW
	<a href="#">TCU30316</a> . . . .	BLADE - 54 in	14	<a href="#">M163058</a> . . . .	SPACER
	<a href="#">TCU15881</a> . . . .	BLADE - 60 in	15	<a href="#">M163060</a> . . . .	BUSHING
3	<a href="#">TCU17497</a> . . . .	BELT - 48 in (S/N - 030000)	16	<a href="#">M127198</a> . . . .	SEAL
	<a href="#">TCU19453</a> . . . .	BELT - 48 in (S/N 030001 -)	17	<a href="#">M134382</a> . . . .	SPINDLE
	<a href="#">TCU18117</a> . . . .	BELT - 54 in (S/N - 030000)	18	<a href="#">M163053</a> . . . .	DEFLECTOR
	<a href="#">TCU19456</a> . . . .	BELT - 54 in (S/N 030001 - 070000)	19	<a href="#">19M7489</a> . . . .	CAP SCREW
	<a href="#">TCU29856</a> . . . .	BELT - 54 in (S/N 070001 -)	20	<a href="#">19M8977</a> . . . .	SCREW
	<a href="#">TCU17497</a> . . . .	BELT - 60 in (S/N - 030000)	21	<a href="#">M133598</a> . . . .	SHIELD
	<a href="#">TCU14356</a> . . . .	BELT - 60 in (S/N (S/N 030001 - 080000))	22	<a href="#">TCA17542</a> . . . .	IDLER
	<a href="#">TCU33390</a> . . . .	BELT - 60 in (S/N 080001 -)	23	<a href="#">AM124925</a> . . . .	IDLER
4	<a href="#">M115245</a> . . . .	FRONT ROLLER			
5	<a href="#">M124203</a> . . . .	ROLLER AXLE			
6	<a href="#">JD7849</a> . . . . .	LUBRICATION FITTING			
7	<a href="#">M123569</a> . . . .	FLANGE NUT			
8	<a href="#">M127353</a> . . . .	BUSHING			
9	<a href="#">TCU15036</a> . . . .	PULLEY			
10	<a href="#">M163054</a> . . . .	DEFLECTOR			

### Frequently Used Items

Qty	Part No.	Item
1	<a href="#">TCA25755</a>	Spindle Assembly - 48 in
1	<a href="#">AM141457</a>	Spindle Assembly - 54 in & 60 in
1	<a href="#">TCU30315</a>	Blades - 48 in
2	<a href="#">TCU30316</a>	Blades - 54 in
1	<a href="#">TCU15881</a>	Blades - 60 in
1	<a href="#">TCU17497</a>	Belt - 48 in (S/N - 030000)
1	<a href="#">TCU19453</a>	Belt - 48 in (S/N 030001 -)
1	<a href="#">TCU18117</a>	Belt - 54 in (S/N - 030000)
1	<a href="#">TCU19456</a> <a href="#">TCU29856</a>	Belt - 54 in (S/N 030001 - 070000) Belt - 54 in (S/N 070001 -)
1	<a href="#">TCU17497</a>	Belt - 60 in ( S/N - 030000)
1	<a href="#">TCU14356</a>	Belt - 60 in (S/N 030001 - 080000)
1	<a href="#">TCU33390</a>	Belt - 60 in (S/N 080001 -)