

REPLACEMENT PARTS GUIDE

7500A PrecisionCut™ Fairway Mower

ENGINE



OIL FILTER

[M806419](#)

ENGINE OIL

[TY26674](#) (PLUS-50™ II 15W-40)
(WITHOUT FILTER) (4.8 L (5.1 qt))
(WITH FILTER) (5.3 L (5.6 qt))

Change Every 250 Hrs.



PRIMARY AIR FILTER

[RE68048](#)

SECONDARY AIR FILTER

[RE68049](#)

Change Every 500 Hrs.



HYDRAULIC FILTER

[UC34161](#)

Change Every 50 Hrs.



JOHN DEERE SPECIAL PURPOSE GOLF AND TURF CUTTING UNIT GREASE

[TY24416](#)

Change As Required .

GREASE GUN

[TY26518](#)



FUEL FILTER

[MIU800645](#) (NON TIER 4)

[MIU803127](#) (TIER 4)

Change Every 500 Hrs.

ELECTRICAL

BELT



[TCU38089](#) (NON TIER 4) (LGTH = 1475 mm,
TK = 12 mm, WIDTH = 11 mm)

[TCU30780](#) (TIER 4) (LGTH = 1475 mm,
TK = 12 mm, WIDTH = 11 mm)

WATER TEMP SWITCH



[CH15516](#) (NON TIER 4)

[MIU801119](#) (TIER 4)



ELECTRICAL

SWITCH



[TCA22740](#) (- 040000)

[AUC18708](#) (040001 -)

THERMOSTAT



[M811034](#)

KEY



[AUC12681](#)

BATTERY



[TY25876B](#) (12V)

TIE ROD END



[TCA23641](#)

FUEL SEPARATOR



[MIU802421](#) (NON TIER 4)

[M811032](#) (TIER 4)

FUEL AND AIR

FILLER CAP



[LVA18519](#)

REPLACEMENT PARTS GUIDE

7500A PrecisionCut™ Reel Cutting Unit

REEL CUTTING UNIT

REEL

[TCA19350](#)

[TCA19351](#)

[TCA23621](#)

BEDKNIFE

[UC18869](#) (HEIGHT OF CUT = 2.5 mm)
(STATIONARY)

[UC28156](#) (HEIGHT OF CUT = 4.8 mm)
(FAIRWAY LOW CUT)

[UC23562](#) (HEIGHT OF CUT = 7.6 mm)
(FAIRWAY LOW CUT)

[UC28163](#) (HEIGHT OF CUT = 2.0 mm)
(STATIONARY)

[ET11066](#) (HEIGHT OF CUT = 3.2 mm)
(STATIONARY STD)

[TCU36165](#) (HEIGHT OF CUT = 2.0 mm)
(STATIONARY LOW CUT)

ADJUSTER

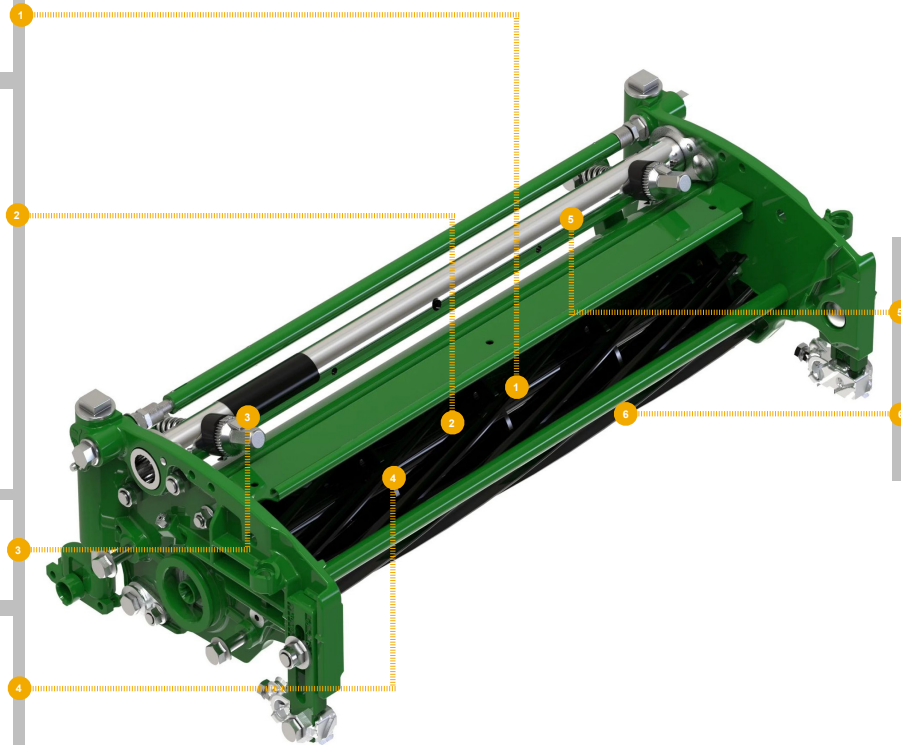
[TCU24328](#)

[AUC13512](#)

BRACKET

[UC16109](#) (LH (IF USING FTC / GTC)
RH (IF NO FTC / GTC))

[UC18211](#) (RH (IF USING FTC / GTC)
LH (IF NO FTC / GTC))



VERTICAL CUTTING UNIT

SHAFT

[TCA19344](#)

KNIFE

[TCU26776](#)

REPLACEMENT PARTS GUIDE

7500A PrecisionCut™ Reel Cutting Unit

ROLLER

- [BM18481](#) (CONTINUOUS MACHINE GROOVED FRONT) (2 INCH)
(GROOVED SECTION = 591 mm)
- [BM18712](#) (EXTENDED MACHINE GROOVED FRONT) (2 INCH)
- [AMT1286](#) (GROOVED END SPIRAL) (3 INCH)
- [BM19821](#) (MACHINED SPIRAL) (2 INCH)
- [BM25317](#) (HEAVY DUTY GROOVED DISC FRONT) (3 INCH)
- [BM24202](#) (HOLLOW SMOOTH) (2 INCH)
- [BE23416](#) (MACHINE GROOVED FRONT)
(GROOVED SECTION = 571 mm)
(2 INCH)
- [BTC10267](#) (RELIEVED GROOVED) (2 INCH)
- [BM23566](#) (RELIEVED SPIRAL GROOVED)
(2 INCH)
- [BM18711](#) (SMOOTH FRONT) (2 INCH)
- [BM18480](#) (HOLLOW SMOOTH FRONT)
(2 INCH)
- [AMT2967](#) (SMOOTH) (2 INCH)
- [BM19817](#) (SPIRAL GROOVED FRONT)
(3 INCH)
- [BTC10281](#) (GROOVED ROLLER) (18 INCH)
- [BM26408](#) (GROOVED ROLLER) (2.5 INCH)

SYNCHRONOUS BELT

- [TCU32422](#) (LGTH = 375 mm, WIDTH = 11 mm)

TORSION SPRING

- [ET17629](#) (LH)
- [ET17630](#) (RH)

SCRAPER

- [TCA19547](#) (MACHINE GROOVED ROLLER SCRAPER) (2 INCH)
- [BM22995](#) (SMOOTH ROLLER) (2 INCH)
- [MT5158](#) (LH END)
- [MT2341](#) (4 TOOTH)
- [MT2340](#) (CENTER)
- [MT2342](#) (3 TOOTH)
- [MT5159](#) (RH END)
- [MT2369](#) (SMOOTH ROLLER)

BRACKET

- [TCU24826](#)

GRASS CATCHER

- [BTC10718](#) (LOW PROFILE)
- [BTC10719](#) (HIGH PROFILE)

BRUSH

- [BTC10773](#) (ROTARY BRUSH)
- [BTC10834](#) (REAR ROLLER BRUSH)

